



RIGBRS

Luoyang BRS Bearing Co.,Ltd

2-1409, Wanguoyinzuo, Anhui Road
Luoyang 471003 China
TEL(86)379-64850388
FAX(86)379-64850788

NSK Type NRXT Series Crossed Roller Bearings

Introduction:

NRXT Series crossed roller bearings range in size from 41 – 700mm OD. They provide optimal economy and capacity for a given envelope dimension.

Design:

NSK NRXT series crossed roller bearings are thin-wall bearings. It consists of integrated inner ring, separable outer ring, cylindrical rollers and separators. This series bearing is suitable for applications where high running accuracy of the inner ring is required.

Features:

- High loading capacity, can take axial & radial loads.
- High rigidity and positioning accuracy.
- Easy handling

Applications:

- Industrial Robotic arm,
- Indexing mechanisms,
- Precision Turntable,NC rotary table
- Rotation part of Machine tools
- Inspection instrument,Medical equipment
- Aviation equipment,Military radar etc

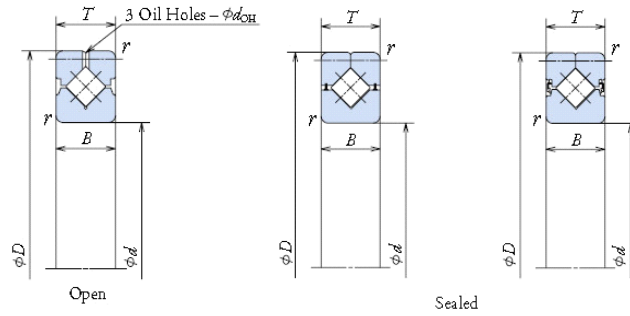




RIGBRS

Luoyang BRS Bearing Co.,Ltd

2-1409, Wanguoyinzuo, Anhui Road
 Luoyang 471003 China
 TEL(86)379-64850388
 FAX(86)379-64850788



Model Number (Sealed)	Model Number (Open)	d(mm)	D(mm)	B(mm)	r(min)	Basic Load Ratings		Weight
						Cr kN	Cor kN	Kg
NRXT2508DD	NRXT2508E	25	41	8	0.6	4	4.4	0.05
NRXT4010DD	NRXT4010E	40	65	10	0.6	7.7	9.85	0.14
NRXT5013DD	NRXT5013E	50	80	13	0.6	16.4	20.9	0.26
NRXT6013DD	NRXT6013E	60	90	13	0.6	17.9	24.6	0.30
NRXT7013DD	NRXT7013E	70	100	13	0.6	19.3	28.4	0.34
NRXT8013DD	NRXT8013E	80	110	13	0.6	20.5	32	0.38
NRXT8016DD	NRXT8016E	80	120	16	0.6	29.8	42.5	0.67
NRXT9016DD	NRXT9016E	90	130	16	1	31	46	0.74
NRXT9020DD	NRXT9020E	90	140	20	1	32	49	1.27
NRXT10020DD	NRXT10020E	100	150	20	1	33	52.5	1.37
NRXT11020DD	NRXT11020E	110	160	20	1	35	59	1.49
NRXT12020DD	NRXT12020E	120	170	20	1.1	36	62	1.60
NRXT12025DD	NRXT12025E	120	180	25	1.1	70	110	2.47
NRXT13025DD	NRXT13025E	130	190	25	1.1	72.5	118	2.63
NRXT14025DD	NRXT14025E	140	200	25	1.1	75	125	2.80
NRXT15025DD	NRXT15025E	150	210	25	1.1	77	133	2.96
NRXT15030DD	NRXT15030E	150	230	30	1.1	119	192	5.55
NRXT20025DD	NRXT20025E	200	260	25	1.5	88	172	3.75
NRXT20030DD	NRXT20030E	200	280	30	1.5	136	247	6.30
NRXT25025DD	NRXT25025E	250	310	25	2	98	211	4.55
NRXT25030DD	NRXT25030E	250	330	30	2	150	300	7.65
NRXT30025DD	NRXT30025E	300	360	25	2.1	107	250	5.30
NRXT30035DD	NRXT30035E	300	395	35	2.1	194	405	12.60
NRXT30040DD	NRXT30040E	300	405	40	2.1	199	425	16.50
NRXT40035DD	NRXT40035E	400	480	35	2.1	188	465	13.40
NRXT40040DD	NRXT40040E	400	510	40	2.1	226	545	22.50
NRXT50040DD	NRXT50040E	500	600	40	2.1	239	625	24.40
NRXT50050DD	NRXT50050E	500	625	50	3	325	810	39.50
NRXT60040DD	NRXT60040E	600	700	40	3	261	745	28.90